

- Band17, RF-Rx Balanced SAW Filter
- Preliminary: August 2013

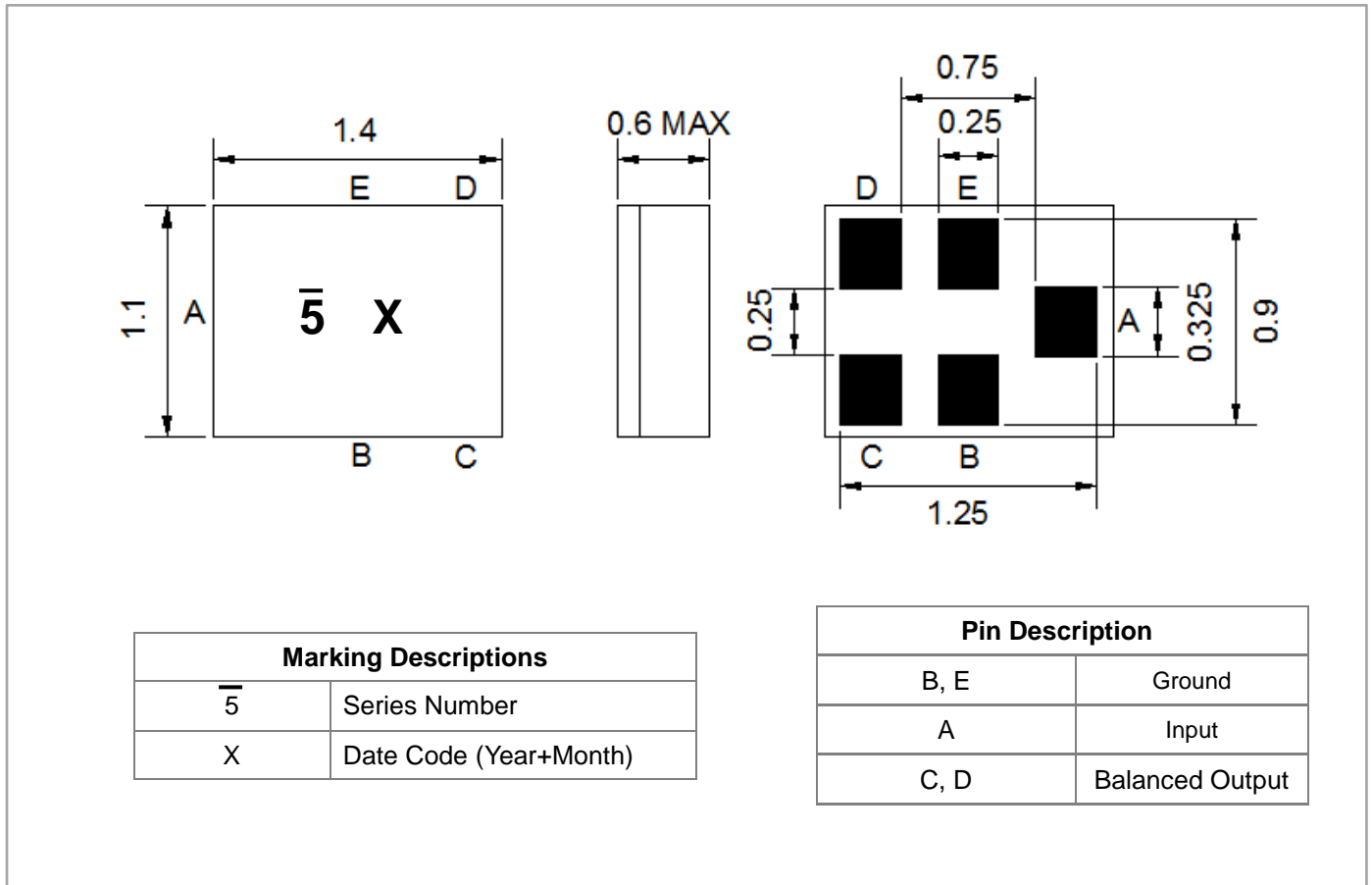
Electrical Characteristics

MAXIMUM RATING				
PARAMETERS DESCRIPTION	UNIT	MINIMUM	TYPICAL	MAXIMUM
Operating Temperature Range	°C	-30	-	+85
Storage Temperature Range	°C	-40	-	+85
Maximum DC Voltage	V	-	-	0
Maximum Input Power	dBm	-	-	15
Source Impedance (unbalanced) ⁽¹⁾	Ω	-	50	-
Load Impedance (balanced) ⁽¹⁾	Ω	-	100	-
Package type & size	C23			
Length x Width	mm ²	-	1.4 x 1.1	-
Height	mm	-	-	0.6

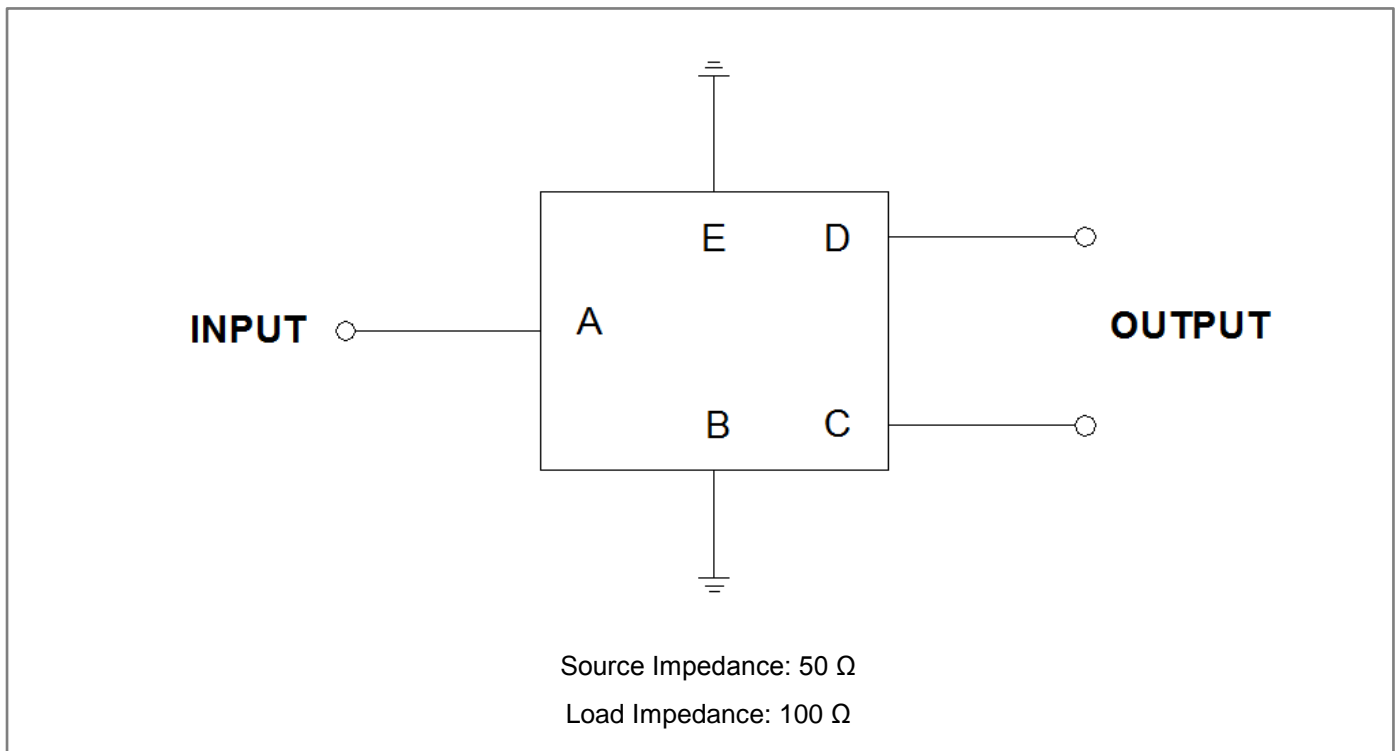
ELECTRICAL SPECIFICATION				
PARAMETERS DESCRIPTION	UNIT	MINIMUM	TYPICAL	MAXIMUM
Center Frequency (Fo)	MHz	-	740.0	-
Insertion Loss within 734.0~746.0 MHz	dB	-	1.7	2.5
Amplitude Ripple within 734.0~746.0 MHz	dB _{p-p}	-	0.5	1.5
Attenuation:				
1.0 ~ 698.0 MHz	dB	45	57	-
698.0 ~ 716.0 MHz	dB	35	49	-
716.0 ~ 722.0 MHz	dB	5	9	-
722.0 ~ 725.0 MHz	dB	3	7	-
725.0 ~ 731.0 MHz	dB	1	2	-
776.0 ~ 806.0 MHz	dB	30	38	-
806.0 ~ 849.0 MHz	dB	45	58	-
849.0 ~ 2300.0 MHz	dB	40	50	-
2300.0 ~ 2400.0 MHz	dB	40	49	-
2400.0 ~ 2690.0 MHz	dB	40	47	-
2690.0 ~ 6000.0 MHz	dB	30	36	-
6000.0 ~ 8500.0 MHz	dB	25	33	-
VSWR within 734.0~746.0 MHz	-	-	1.9	2.3

Notes: (1) No Matching Network (Ref. Testing Environment Circuit as shown below).

Package Dimensions

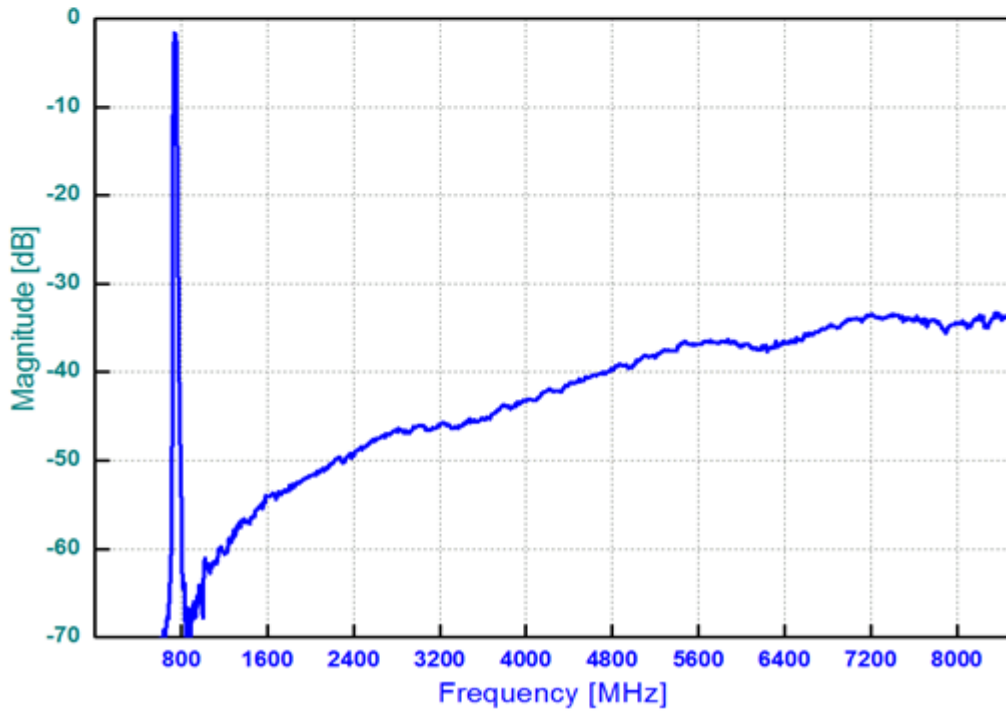
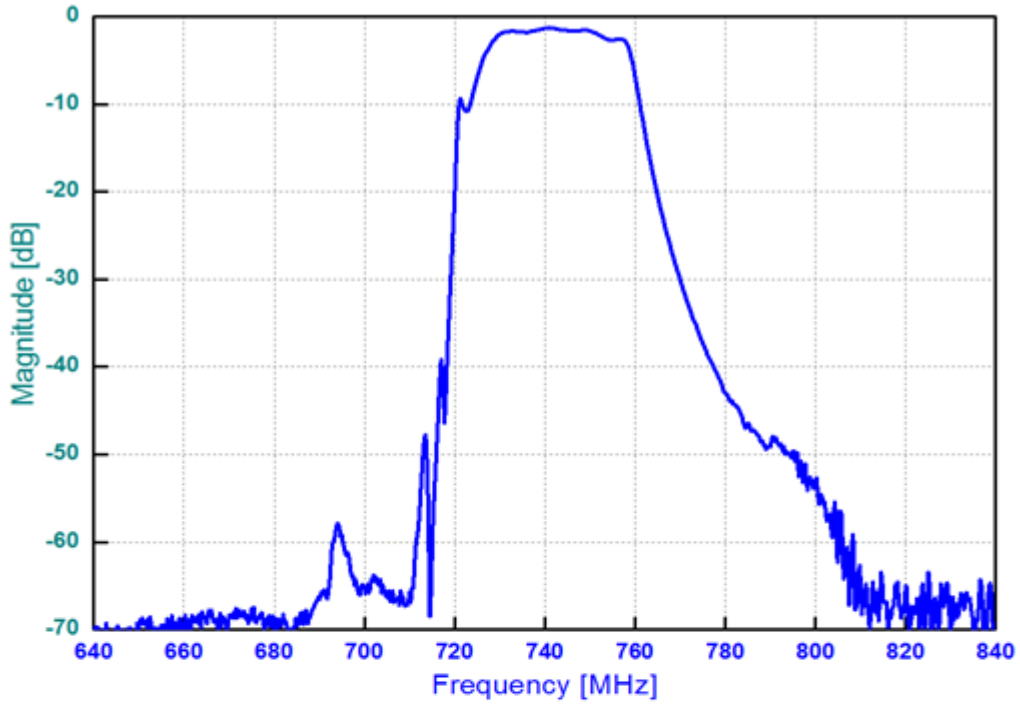


Testing Environment

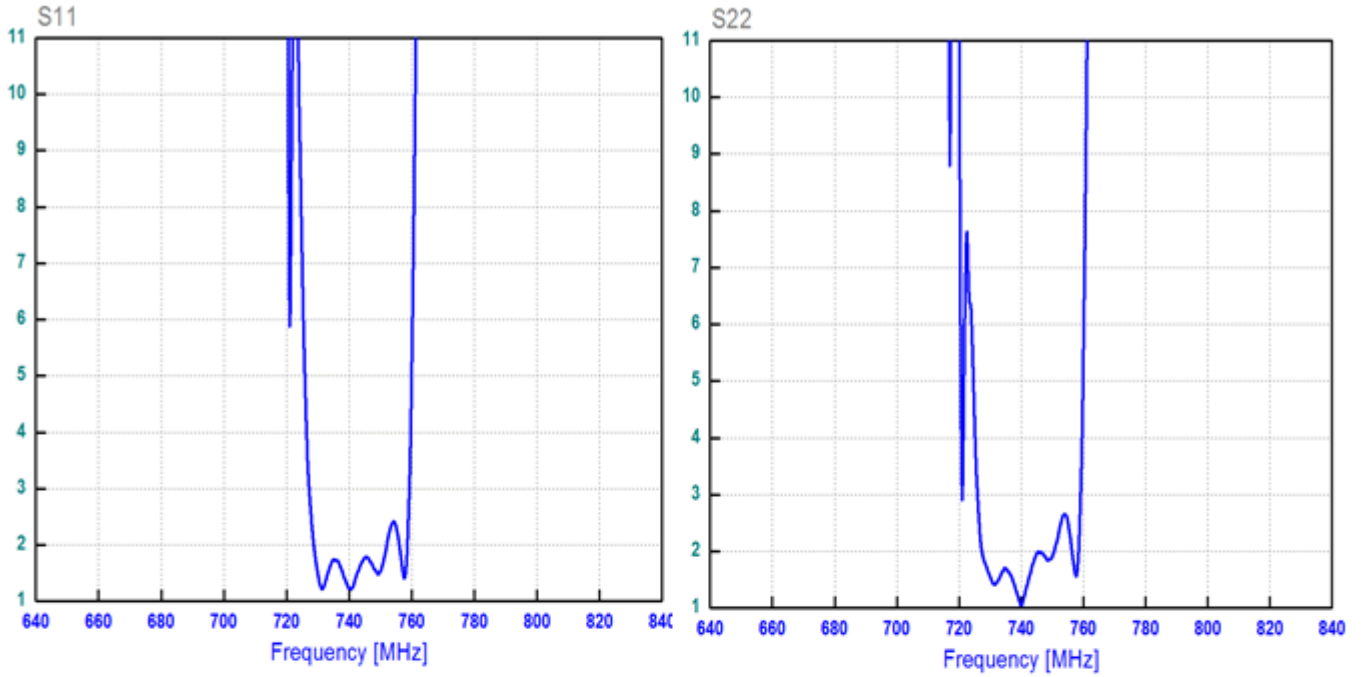


Frequency Characteristics

Frequency Response



VSWR



Smith Chart

